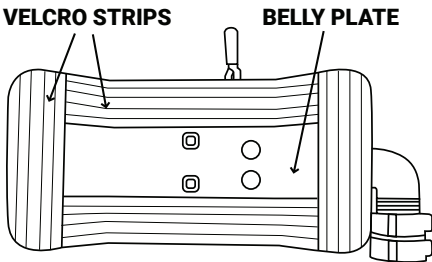


FE100 MANUAL

ASSEMBLY INSTRUCTIONS

The Aqua Blaster belly plate unit is shipped assembled. The water flow components and adjustable locking clamp are ready to use. The Aqua Blaster height adjustment range is 4".

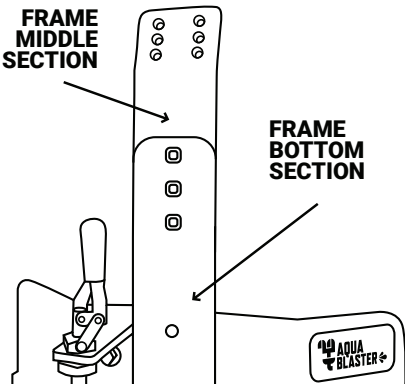
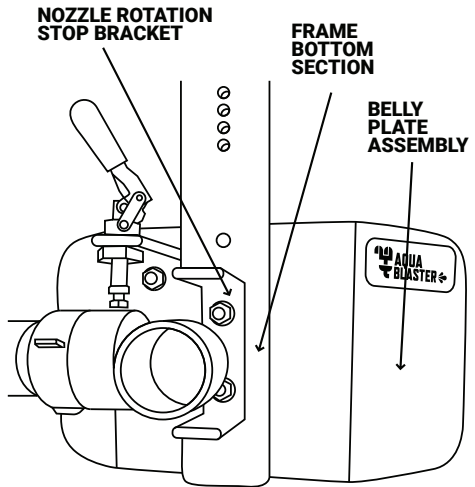


STEP 1.

Attach radiused vertical Velcro pieces to belly plate. Then attach upper and lower horizontal Velcro strips.

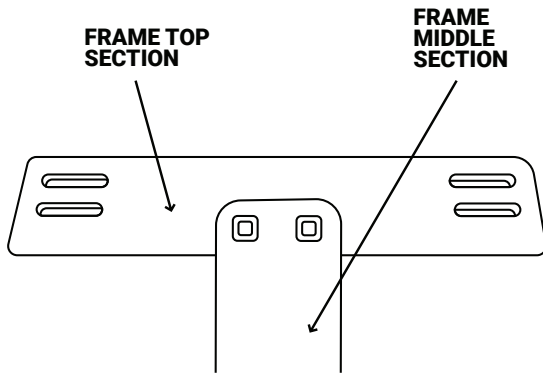
STEP 2.

Attach frame bottom section and nozzle rotation stop bracket to belly plate assembly using two 5/16" - 18 x 1" carriage bolts and two 5/16" - 18 serrated flange lock nuts. Slide on stop bracket rubber covers.



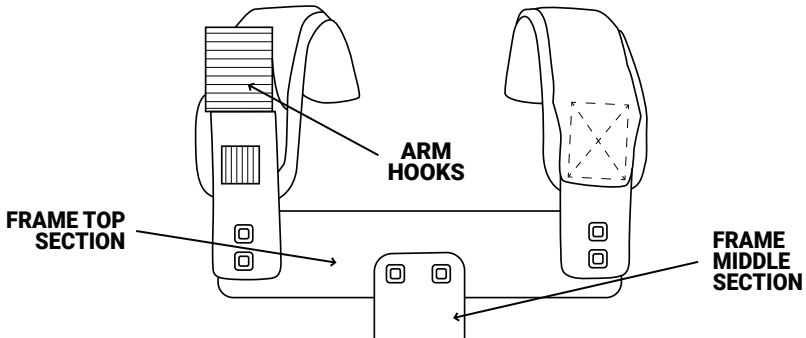
STEP 3.

Attach frame middle section (with angle towards user) to frame bottom section using two 1/4" - 20 x 1" carriage bolts and two 1/4" - 20 serrated flange lock nut.



STEP 4.

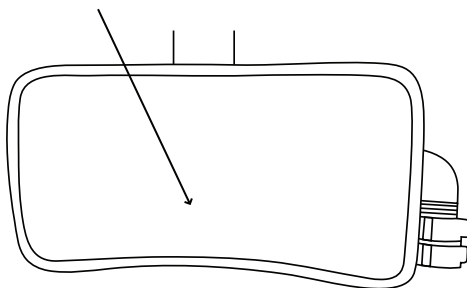
Attach frame top section to frame middle section with two $\frac{1}{4}$ " – 20 x $\frac{3}{4}$ " carriage bolts and two $\frac{1}{4}$ " - 20 serrated flange lock nuts.



STEP 5.

Attach arm hooks to frame top section using four $\frac{1}{4}$ " – 20 x $\frac{3}{4}$ " carriage bolts with four $\frac{1}{4}$ " – 20 serrated flange lock nuts. Slide arm hook pads on arm hooks. Lift up tab and attach 1" Velcro square to secure arm hook pad from sliding off arm hook.

BELLY PLATE PAD



STEP 6.

Attach belly plate pad to belly plate.

PARTS LIST

NO.	PART NO.	QTY	DESCRIPTION
1.	FE100-P0000	1	Belly plate unit, shipped completely assembled
2.	FE100-P0005	1	Belly plate only
3.	FE100-P0009	1	Belly plate pad
4.	FE100-P0001	2	Arm hook
5.	FE100-P0008	2	Arm hook pad
6.	FE100-P0002	1	Frame top section
7.	FE100-P0003	1	Frame middle section
8.	FE100-P0004	1	Frame bottom section
9.	FE100-P0006	2	Swivel elbow, brass
10.	FE100-P0007	1	Double female coupling
11.	FE100-P0022	1	Welded adjustable clamp bracket
12.	FE100-0012	1	Adjustable locking clamp
13.	FE100-0015	1	5/8" internal tooth lock washer
14.	FE100-0016	3	5/16" – 18 x 3/4" carriage bolt
15.	FE100-0017	5	5/16" – 18 serrated flange lock nut
16.	FE100-0018	6	1/4" – 20 x 3/4" carriage bolt
17.	FE100-0019	2	1/4" – 20 x 1" carriage bolt
18.	FE100-0020	2	5/16" – 18 x 1" carriage bolt
19.	FE100-0021	8	1/4" – 20 serrated flange lock nuts
20.	FE100-0022	1	Rotation stop bracket
21.	FE100-0023	2	Rotation stop bracket rubber cover
22.	FE100-0024	1	Adjustable locking clamp rubber handle

SAFETY INFORMATION

1. Read and follow the manual before use.
2. Use only for firefighting by trained operators.
3. Do not exceed a maximum pressure of 300 psi. 20.68 bars)
4. Operating temperature range, -30F to 150F. (-34C to 66C)
5. Charge the Aqua Blaster slowly. Rapid charging may cause a pressure surge with the potential to cause injury or damage to the Aqua Blaster.
6. Arm hook and belly pads are not fire resistant.
7. Make sure the Aqua Blaster is pointed in a safe direction before charging.
8. During freezing conditions, the Aqua Blaster must be drained when not in use to prevent damage.
9. Replace any tags on the Aqua Blaster that have become worn or damaged.
10. The Aqua Blaster must be on the user before charging.
11. When changing locations it is recommended that water flow be stopped
12. It is important to keep the rotation clamp properly adjusted to maintain proper locking pressure.
13. Keep hands on nozzle when in use.
14. Periodically check tension on assembly bolts. Replace worn parts.

LIMITED WARRANTY

1/1/2020

The following warranty is the only warranty applicable to Custom Elite Mfg., LLC (CEM) products, and to the maximum extent permitted by law, overrides any other conditions or warranties expressed or implied on CEM products. Other than legislative obligations to the contrary, CEM will not be liable for any incidental or consequential damages arising from the ownership or use of a Product. No person, including any dealer or representative of CEM is authorized to make any representation or warranty on behalf of CEM inconsistent with these provisions. Purchasers to whom these provisions apply agree to hold CEM not liable for claims by their customers in excess of the obligations of CEM expressly set forth herein.

THE WARRANTY: All products sold by CEM are guaranteed to be free from defects in materials, workmanship or manufacture for a period of 12 months from the initial date of purchase, excepting the following exclusions. Any parts/products found by CEM to be defective, either in material or workmanship will be replaced or repaired within this period, at no cost to the initial purchaser if the following conditions are met:

- The item has been operated in accordance with all instructions and warnings provided.
- Item is still owned and operated by original purchaser - proof of purchase is required to obtain warranty.

ABUSE: Failure as a result of neglect, such as improper operation, or lack of maintenance or continued operation after discovery of a defect that leads to further damage.

ALTERATIONS: Any alteration, modification, attachments, use of non-genuine parts or unauthorized repair to equipment.

DAMAGE: Damages or machine/component failure caused by carelessness/recklessness or accidental damage, improper operation, or, inappropriate storage or transportation.

ENVIRONMENTAL CONDITIONS & APPLICATIONS: Deteriorated or failed components such as O-rings, diaphragms, hoses, seals and connections damaged by corrosive chemicals, dirt and sand, excessive heat, moisture or other environmental impacts. Warranty determination on these types of failures will be made by CEM, only after inspection of the failed component.

INABILITY / UNSUITABILITY: In no event shall CEM be liable to any person for indirect or consequential damages or for injury or commercial loss resulting from any use or inability to use any CEM product.

MAINTENANCE: Component failure due to failure to perform maintenance services. Failure to tighten or replace loose or missing bolts, nuts, And fittings.